

spinder

DAIRY HOUSING CONCEPTS



Spinder

Comfort for cow and farmer

Dairy housing concepts with added value

A happy, healthy cow in excellent condition provides more milk. This is why an investment in a comfortable, safe and clean living environment for your cows will always pay for itself. In both animal wellbeing and production.

The benefits of comfort | spinderdhc.com

“ Comfort your cows and yourself and enjoy the benefits ”

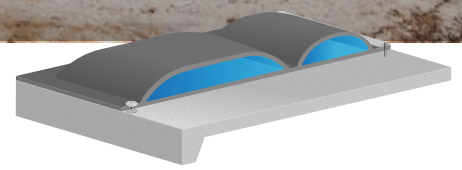
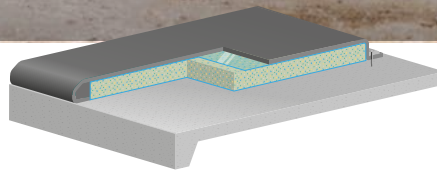


Meadow cow mattress

Dual Waterbed

Comfortable matting

For the cow's health, it is very important that the surface she lies on is comfortable, dry and hygienic, and provides enough grip for her when standing up.



- Latex: soft and resilient
- Rubber top cover delivered on a roll
- Liquid tight: secured on all sides

- Unique 2-compartment waterbed
- Floating on water prevents pressure points
- Little bedding and labor required

Complete range for young stock

Spinder also offers a complete range of dairy housing equipment for young stock, available for different age groups up to 18 months.

- Calf pens
- Cubicles
- Matting: mattress or waterbeds
- Feed fronts

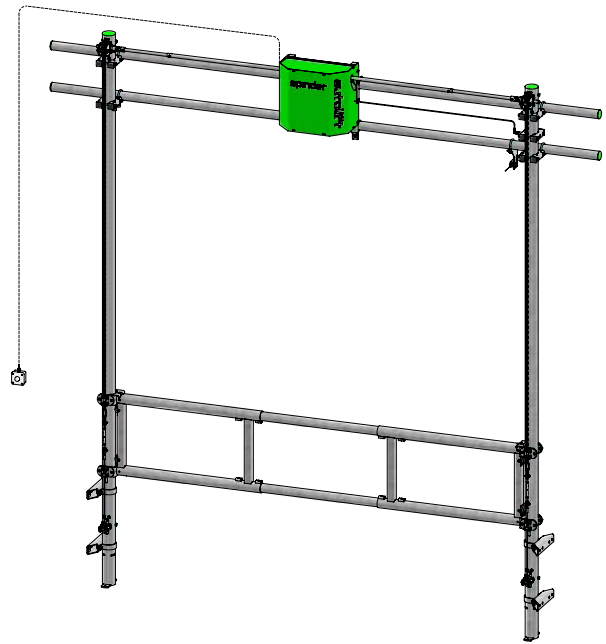


Cow traffic

For cow traffic in the barn and group arrangement, Spinder provides a wide range of fences that offer maximum flexibility in the layout of your barn. All our products are cow-friendly, quiet, convenient to mount and easy to operate.

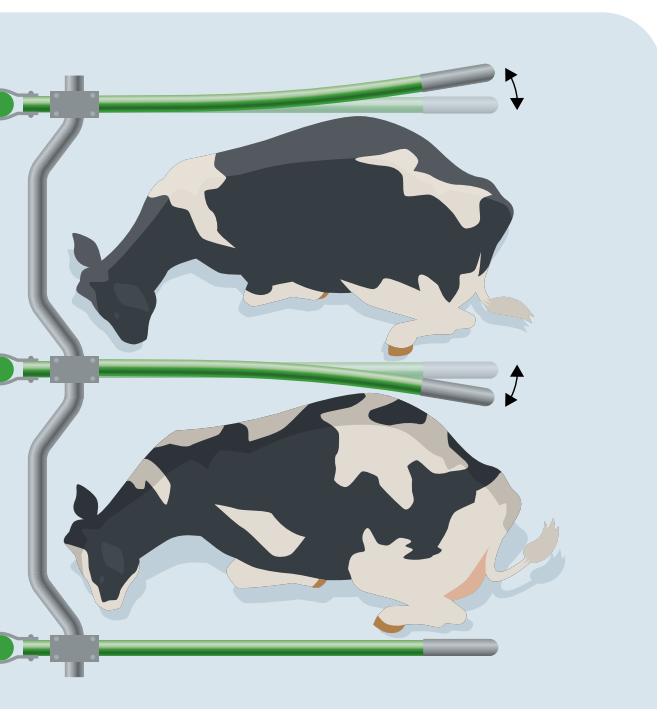
The Spinder assortment contains:

- Barrier gates
- One-way gates
- Telescopic gates
- Draw gates
- Automated cow traffic gates



Cubicles

When a cow rests, milk is produced. Spinder supplies cubicles in which cows enjoy resting. Made of steel, and recently also in fiberglass.



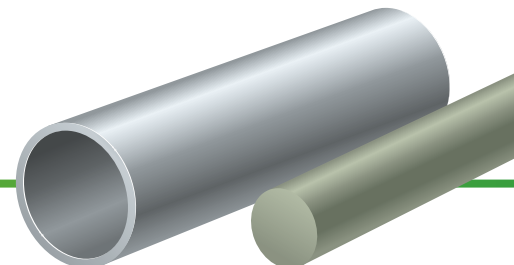
Fitbox: Animal friendly, flexible and durable

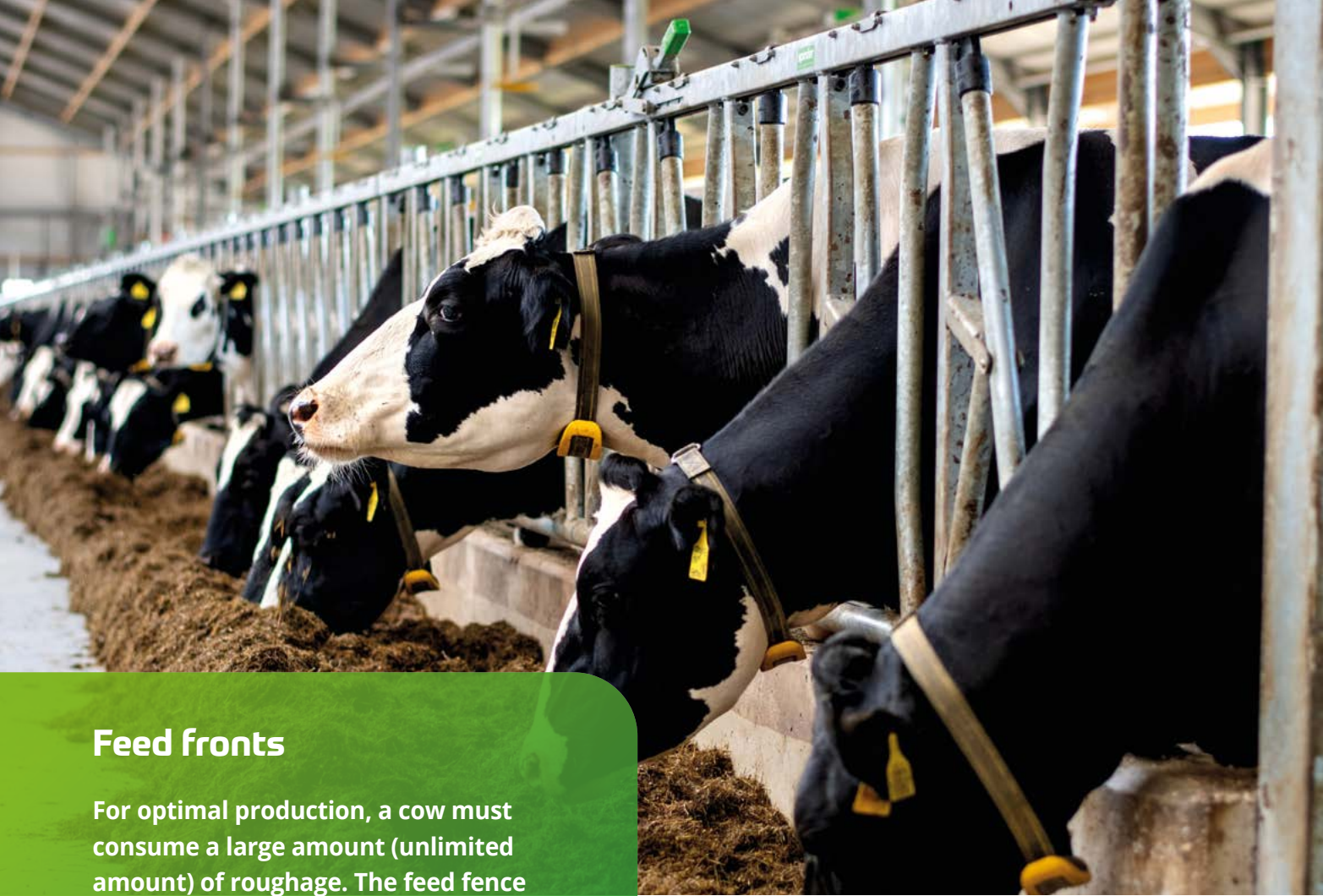
The flexible Fitbox is made of glass fiber rods; if a cow contacts the freestall divider when lying down or standing up, the divider flexes with the cow and pushes back against the cow. Not annoying or stressful, but pleasant. Thanks to the slim profile, the space is used to an optimum providing the cow with more room.

Characteristics of the Fitbox

- Cowfriendly
- Flexible
- Durable
- More room for the cow
- Always the right fit

Steel tube diameter \varnothing 6 cm
Fiberglass rod diameter \varnothing 3 cm





Feed fronts

For optimal production, a cow must consume a large amount (unlimited amount) of roughage. The feed fence is the access to roughage. In addition, a feed fence is an important tool for the dairy farmer in managing the herd; locking and releasing, in groups or individually.

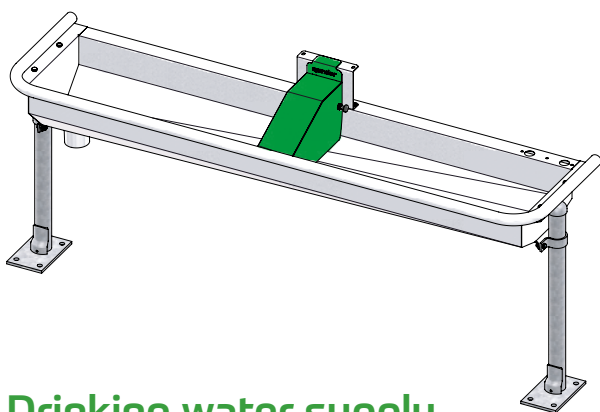
Highline feed front

Characteristics

- Robust and quiet
- Most operating functions
- Including central locking and individual selection

Spinder manure scrapers

A clean floor not only promotes the dairy farmer's ease of work, it is also very important for the health of the cow and ultimately for the quality of the milk. Fast reliable manure removal is therefore necessary.

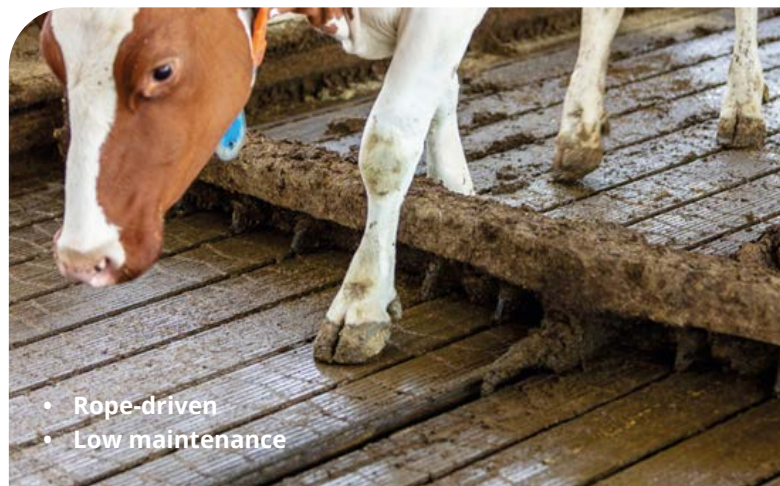


Drinking water supply

Milk consists of almost 90% water. A good drinking water supply is vital for both the cow and milk production.

Pingo water trough

- Stainless steel
- Large water surface
- Easy to clean



- Rope-driven
- Low maintenance

Spinder quality; more than just a strong story

Although we are a traditional company in a traditional market, we are focused on the future and on developing innovative concepts that help you do more. In recent years we've been awarded multiple recognitions for our innovations on international stages.

Our dairy housing concepts are not only innovative but also of an old-fashioned quality. Spinder distinguishes itself by using extra strong constructions. In our modern factory, in addition to laser cutting machines and welding robots, there are also "old-fashioned" machines that we use to efficiently cut and process thick steel strips. This is how we produce thicker fastening clamps that are the strongest on the market. In practice we regularly encounter Spinder products from the 70s or 80s which still function without any problems; more than just a strong story.

Custom products

One of Spinder's distinguishing values is the capability of offering tailor-made; custom solutions based on the requirements of the farmer. We have in-house engineers who can translate your requirements into a workable and feasible plan and who can produce a draft for the workshop to work from. Non-regular sizes and shapes are no problem and can be supplied within a few weeks.



“In our modern factory we combine rock-solid, quality craftsmanship with innovative technologies”



spinder

Strong international network of Spinder dealers

Spinder serves the Dutch as well as the international market via dealers throughout all of Europe and Canada. This requires a strong dealer network which brings Spinder and the end user closer together.

Don't hesitate to contact our Spinder dealers for:

- Any questions you may have about the Spinder range
- Professional advice and information
- Sales, service and warranty matters
- Solutions to suit your specific needs

Stock

In order to be able to deliver quickly, Spinder keeps a large stock.

Spinder, since 1973

Spinder is a reliable supplier of dairy housing equipment. Thanks to our knowledge of dairy farming, we can properly advise you and provide you with products that function without problems for decades.

- Comfort for the cow
- Comfort for the farmer
- Large stock
- Customisation
- Nearby and fast service

Stay up to date with our latest news!
Sign up for our news letter.



spinderdhc.com



spinder

DAIRY HOUSING CONCEPTS

Zeppelinlaan 3
9207 JG Drachten
The Netherlands

+31 (0)512 - 23 78 00
sales@spinder.nl
www.spinderdhc.com